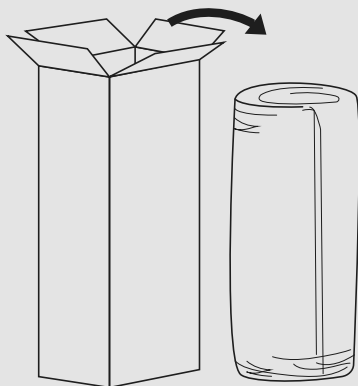
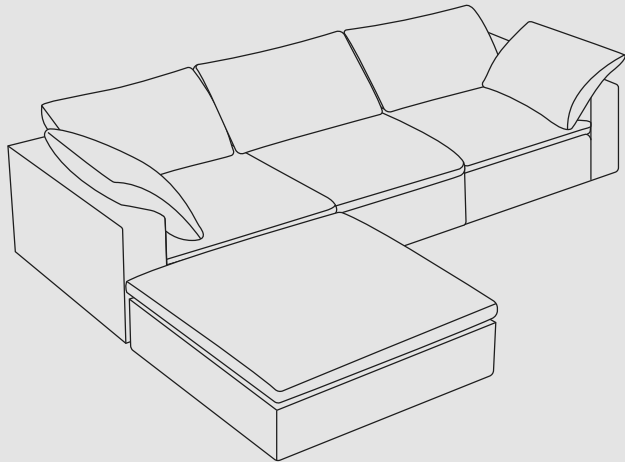


BIG JOE

@BUYBIGJOE
BUYBIGJOE.COM

Averra™ Sectional

From Box to Bliss in Minutes



Unboxing, Product Info & Care

Your Averra™ Sectional arrives rolled and compressed on purpose. This is normal—nothing's missing, nothing's broken. Just follow these steps and get ready to relax!

What You Need

- Scissors, or a sharp object to open the compressed bag
- Open floor space for the product to expand
- Patience (about 72 hours)

1. OPEN IN THE RIGHT SPOT

Unbox indoors where your Averra™ Sectional will live. Make sure there's room for it to expand. Keep kids, pets, and faces clear while opening.

2. REMOVE THE OUTER BAG

Take the rolled piece out of the box and remove the loose outer plastic. Do not cut the fabric.

✓ You should see a tight, sealed bag underneath.

3. SNIP THE SEALED BAG (GO SLOW)



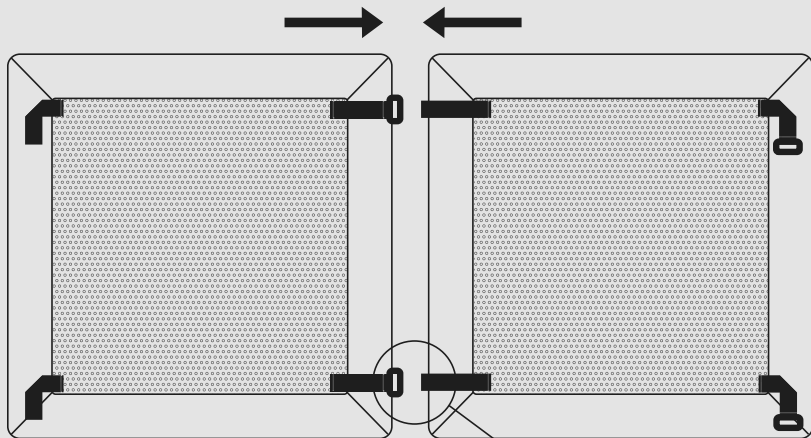
Use scissors or a sharp object to cut the plastic near an edge—shallow cuts only. **Do not cut deep.** Step back and let the sectional start expanding on its own.

✓ Wrinkles and uneven spots are normal at first.

4. LET IT FLUFF UP

Your sectional was compressed for shipping and needs time to breathe. Allow up to 72 hours for its best shape.

✓ Light sitting is okay before then.



5. CONNECT THE PIECES

Flip each piece over on their backs (so you can see the bottom) and line them up. Use the straps underneath to link sections together:

- Push the flat strap through the loop
- Pull tight
- Fold strap back down to secure
- Ottomans have straps only on one side—totally normal.

Flip all pieces back upright when you finish connecting.

6. OPTIONAL: CREATE A LOUNGER

Want a chaise? Slide the ottoman in front of a chair and connect the strap underneath. Done in seconds.

✓ That's it! If it looks soft, full, and inviting—you're ready to relax.

WASHING AND FABRIC CARE

Frequent washing may affect the performance of the treatment Anti-Stain & Liquid Repellent.

Any stain, spills or soiling should be cleaned up promptly with a neutral soap solution using a cloth in smooth circular movements. **DO NOT USE BLEACH BASED PRODUCTS TO CLEAN FABRIC**

Spot Cleaning: If a beverage is spilled, dab and wipe it immediately with a cloth—**do not scrub it.**

For deeply set stains, use a gentle upholstery cleaner. It is suggested to try the cleaner on a small portion of the material first to test and avoid discoloration.

Washing: Your sectional pillows and seat cushion covers can be removed and washed in a washing machine. To clean the fabric covers, unzip and remove the foam inserts. Brush off loose dirt, then launder at cold temperature with mild detergent on gentle cycle. **DO NOT BLEACH.** Allow to air dry. Foam base fabrics are spot clean only. Use a gentle upholstery cleaner. It is suggested to try the cleaner on a small portion of the material first to test and avoid discoloration.



Register your Sectional & Share Feedback

Scan the QR code to:

Explore setup videos and tips

Access customer support

Leave a review